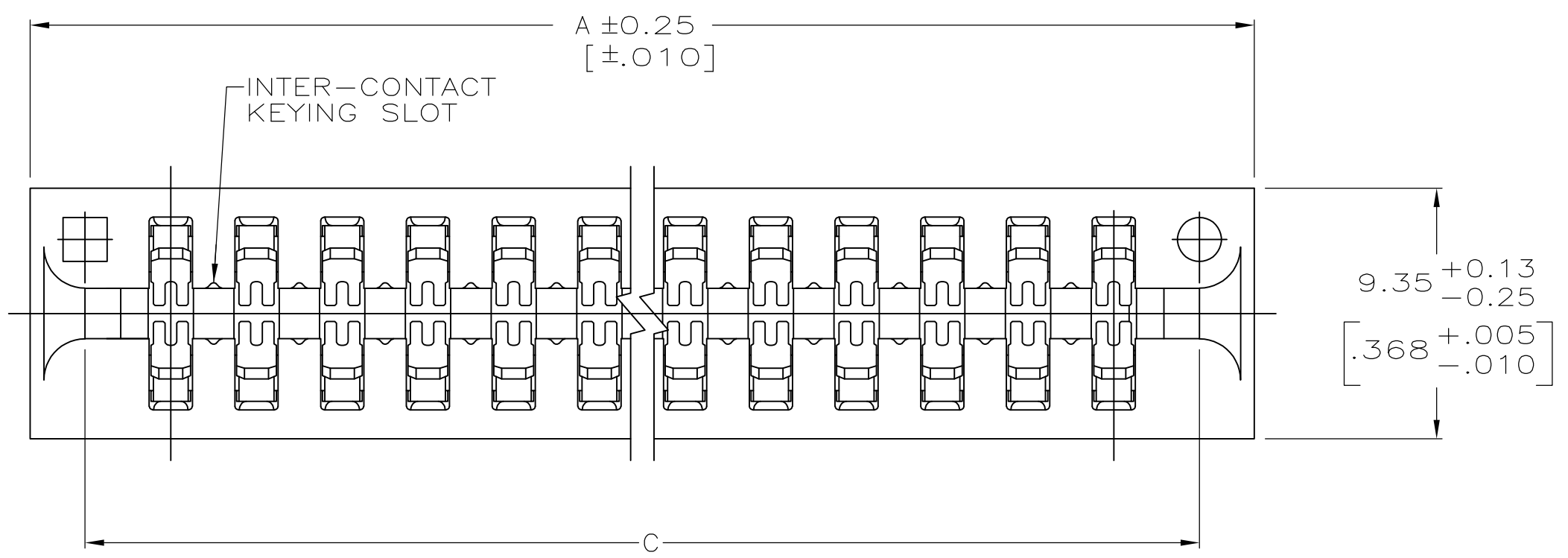
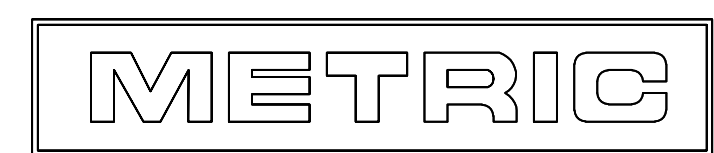
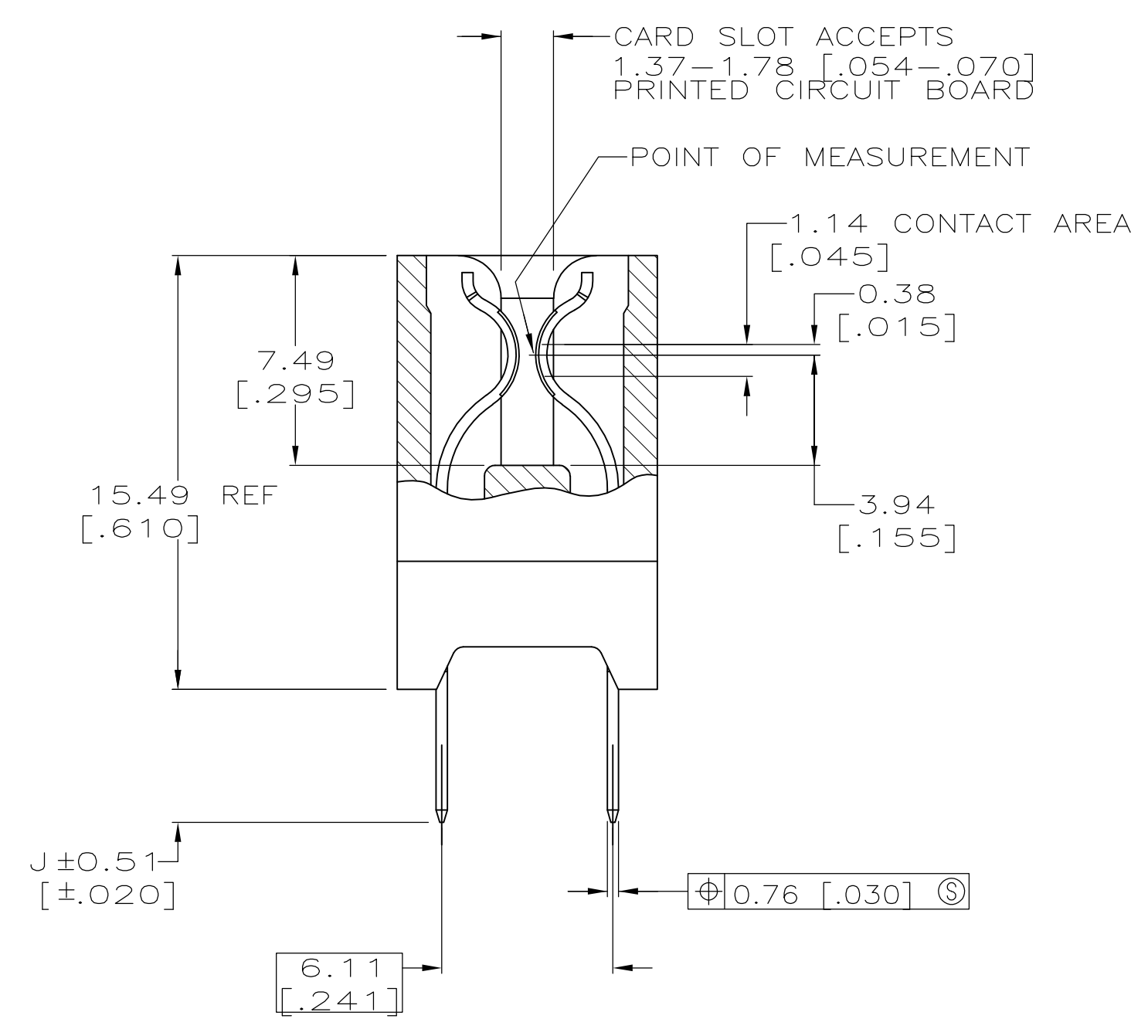
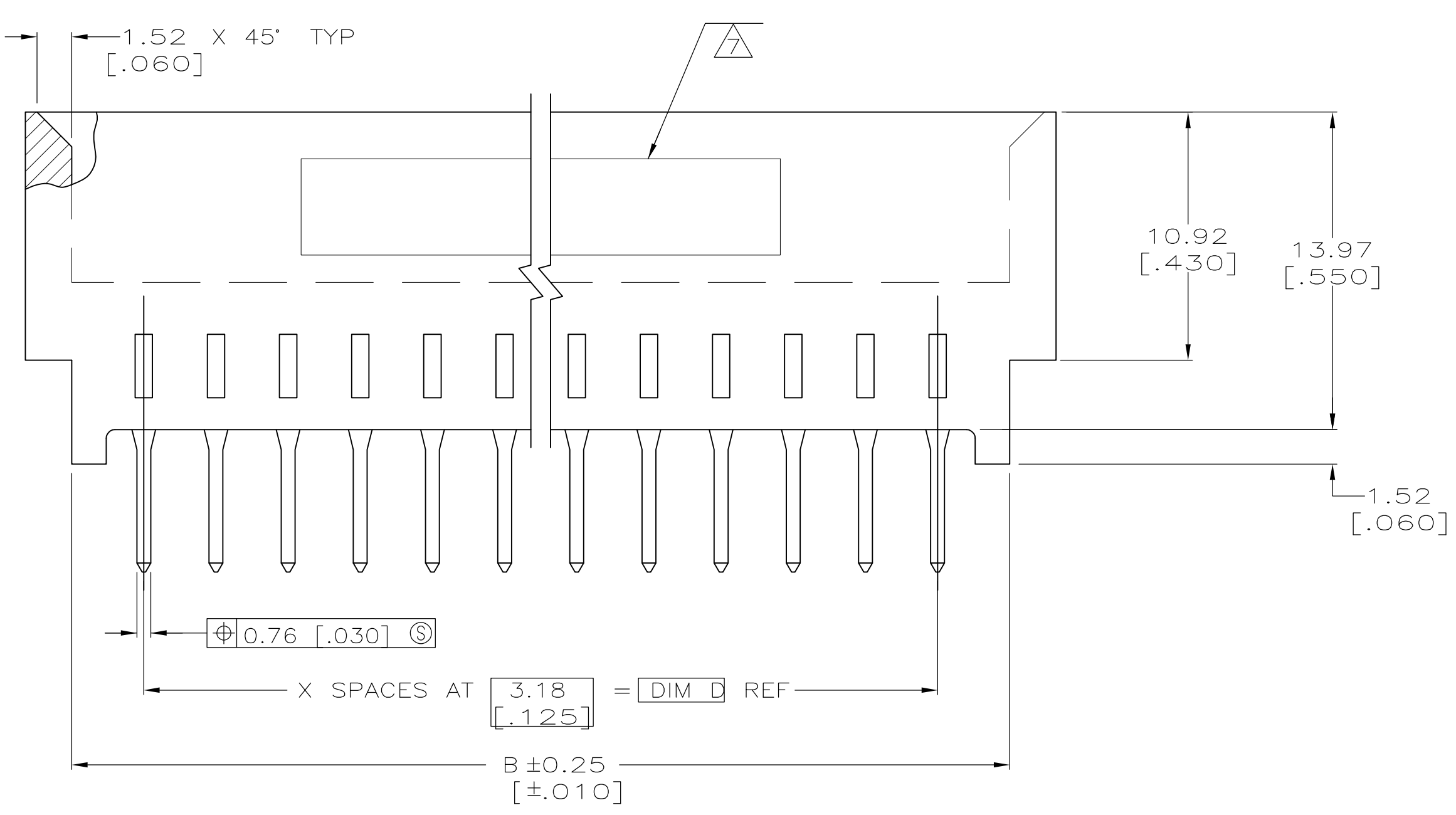


LOC		DIST		REVISIONS			
AD	14	P	LTR	DESCRIPTION	DATE	OWN	APVD
		Y2		REVISED PER ECO-11-005140	26MAR11	RK	HMR



- ① HOUSING: GLASS FILLED POLYESTER; COLOR: BLACK.
- ② CONTACT: PHOSPHOR BRONZE.
- ③ NICKEL UNDERPLATE: 0.00127 [.000050] MIN - ALL OVER.
- ④ TIN-LEAD PLATE: 0.00254 [.000100] MIN - SOLDER POSTS.
- ⑤ GOLD PLATE: 0.00076 [.000030] MIN - CONTACT AREA.
- ⑥ NICKEL PLATE PER MIL-G-45204. GOLD PLATE PER QQ-N-290.
- ⑦ PART NUMBER AND DATE CODE ARE MARKED IN APPROXIMATE AREA SHOWN, EITHER SIDE.
- ⑧ RECOMMENDED PCB FINISHED HOLE DIA: 1.02±0.08 [.040±.003].
- ⑨ OBSOLETE PARTS: OBSOLETE CIS STREAMLINING PER D.RENAUD/D.SINISI



THIS DRAWING IS A CONTROLLED DOCUMENT.		OWN: R. SHIREY/UTA 11/5/91	CHK: J. DIORAZIO 8-10-92	APVD: J. DIORAZIO 8-10-92		NAME: CONNECTOR ASSEMBLY, STANDARD EDGE II, 3.18 [.125] Ⓢ	
DIMENSIONS: MM(INCHES)		TOLERANCES UNLESS OTHERWISE SPECIFIED:		PRODUCT SPEC: 108-9039		APPLICATION SPEC: -	
0 PLG	± -	1 PLG	± -	2 PLG	± -	3 PLG	± 0.13 [.005]
4 PLG	± -	ANGLES	± -	WEIGHT: -			
MATERIAL: HOUSING: ① CONTACT: ②		FINISH: ③ ④ ⑤ ⑥		CUSTOMER DRAWING		SIZE: A1	CAGE CODE: 00779
DRAWING NO: C=530844		SCALE: 5:1	SHEET: 1 OF 2	REV: Y2	RESTRICTED TO: -		

	J	D	C	B	A	X	NO OF POSN	PART NUMBER	
OBSOLETE	3.18	76.20	82.55	82.55	86.61		24	25	5-530844-9
OBSOLETE	[.125]	[3.000]	[3.250]	[3.250]	[3.410]		13	14	5-530844-8
OBSOLETE	4.75	41.28	47.62	47.62	51.69				5-530844-7
OBSOLETE	[.187]	[1.625]	[1.875]	[1.875]	[2.035]				5-530844-6
OBSOLETE								44	5-530844-5
SUPERSEDED								44	5-530844-4
OBSOLETE	3.18	136.52	142.88	142.88	146.94		43	44	5-530844-3
OBSOLETE	[.125]	[5.375]	[5.625]	[5.625]	[5.785]				5-530844-2
SUPERSEDED								60	5-530844-1
OBSOLETE								60	5-530844-0
OBSOLETE								60	4-530844-9
OBSOLETE								35	4-530844-8
OBSOLETE								35	4-530844-7
OBSOLETE								50	4-530844-6
OBSOLETE								43	4-530844-5
OBSOLETE								40	4-530844-4
OBSOLETE	4.75	111.12	117.48	117.48	121.54		35	36	4-530844-3
OBSOLETE	[.187]	[4.375]	[4.625]	[4.625]	[4.785]				4-530844-2
OBSOLETE								30	4-530844-1
OBSOLETE								28	4-530844-0

OBSOLETE								22	4-530844-0		
OBSOLETE								18	3-530844-9		
SUPERSEDED								15	3-530844-8		
OBSOLETE								10	3-530844-7		
OBSOLETE								6	3-530844-6		
OBSOLETE								50	3-530844-5		
OBSOLETE								43	3-530844-4		
OBSOLETE								40	3-530844-3		
OBSOLETE								36	3-530844-2		
OBSOLETE								30	3-530844-1		
OBSOLETE								28	3-530844-0		
OBSOLETE								22	2-530844-9		
OBSOLETE								18	2-530844-8		
OBSOLETE								15	2-530844-7		
OBSOLETE								10	2-530844-6		
OBSOLETE								6	2-530844-5		
OBSOLETE								35	2-530844-4		
OBSOLETE								35	2-530844-3		
OBSOLETE	4.75	155.98	161.92	161.92	165.99		49	50	2-530844-2		
OBSOLETE	[.187]	[6.125]	[6.375]	[6.375]	[6.535]		42	43	2-530844-1		
OBSOLETE	4.75	123.82	130.18	130.18	134.24		39	40	2-530844-0		
OBSOLETE	[.187]	[4.875]	[5.125]	[5.125]	[5.285]				1-530844-9		
OBSOLETE	4.75	85.72	92.08	92.08	96.14		27	28	1-530844-7		
OBSOLETE	[.187]	[3.625]	[3.875]	[3.875]	[4.035]				1-530844-6		
OBSOLETE	4.75	66.68	73.02	73.02	77.09		21	22	1-530844-5		
OBSOLETE	[.187]	[2.625]	[2.875]	[2.875]	[3.035]		17	18	1-530844-4		
OBSOLETE	4.75	53.98	60.32	60.32	64.39				1-530844-3		
OBSOLETE	[.187]	[2.125]	[2.375]	[2.375]	[2.535]				1-530844-2		
OBSOLETE								15	1-530844-1		
OBSOLETE	4.75	28.58	34.92	34.92	38.99		9	10	1-530844-0		
OBSOLETE	[.187]	[1.125]	[1.375]	[1.375]	[1.535]				5-530843-0		
OBSOLETE	4.75	15.88	22.22	22.22	26.29				5-530843-0		
OBSOLETE	[.187]	[.625]	[.875]	[.875]	[1.035]				49	50	1-530844-1
OBSOLETE	3.18	155.58	161.92	161.92	165.99		49	50	1-530844-0		
OBSOLETE	[.125]	[6.125]	[6.375]	[6.375]	[6.535]		42	43	1-530844-0		
OBSOLETE	3.18	133.35	139.70	139.70	143.76				40	530844-9	
OBSOLETE	[.125]	[5.250]	[5.500]	[5.500]	[5.660]				36	530844-8	
OBSOLETE								30	530844-7		
OBSOLETE								28	530844-6		
OBSOLETE	3.18	66.68	73.02	73.02	77.09		21	22	530844-5		
OBSOLETE	[.125]	[2.625]	[2.875]	[2.875]	[3.035]				18	530844-4	
OBSOLETE								15	530844-3		
OBSOLETE	3.18	28.58	34.92	34.92	38.99		9	10	530844-2		
OBSOLETE	[.125]	[1.125]	[1.375]	[1.375]	[1.535]				5	530844-1	
OBSOLETE	3.18	15.88	22.22	22.22	26.29						530844-1
OBSOLETE	[.125]	[.625]	[.875]	[.875]	[1.035]						530844-1

9 SUPERSEDED BY 1-5530844-6

9 SUPERSEDED BY 1-5530844-1

SUPERSEDED BY 5-530843-0

THIS DRAWING IS A CONTROLLED DOCUMENT. 11/5/91
 R. SHIREY/UTA
 D. DIORAZIO 8/10/92
 J. DIORAZIO 8/10/92

STE TE Connectivity
 CONNECTOR ASSEMBLY,
 STANDARD EDGE II,
 3.18 [.125]

DIMENSIONS: MM(INCHES)
 0 PLC ± -
 2 PLC ± -
 3 PLC ± 0.13 [.005]
 4 PLC ± -
 ANGLES ± -

TOLERANCES UNLESS OTHERWISE SPECIFIED:
 FINISH CONTACT:
 MATERIAL HOUSING CONTACT: WEIGHT: -

APVD: J. DIORAZIO
 PRODUCT SPEC NAME: 108-9039
 APPLICATION SPEC: -

SIZE: A1
 CASE CODE: 00779
 DRAWING NO: C=530844
 SCALE: 5:1
 SHEET: 2 of 2
 REV: Y2

RESTRICTED TO: CUSTOMER DRAWING